

AE3

Solar Street Lighting

The AE3 series provides solar lighting for areas you cannot get a power supply to, powered by a 60W sized solar panel with a 10 watt LED Light.

Applications

Street lighting
Parks & recreation areas
Public areas
Bus stops and shelters
Car parks and perimeters
Marinas and harbours
Footpaths



Year-round Lighting

The AE3, luminaires are high-quality, year-round, solar-powered LED units. They provide permanent lighting without the need for external electrical power.

Easy Installation

The lights are simple, quick and economical to install. With no need to dig trenches or install ducting for cables, installation costs can be halved compared to conventional mains power alternatives.

Lighting From Dusk till Dawn

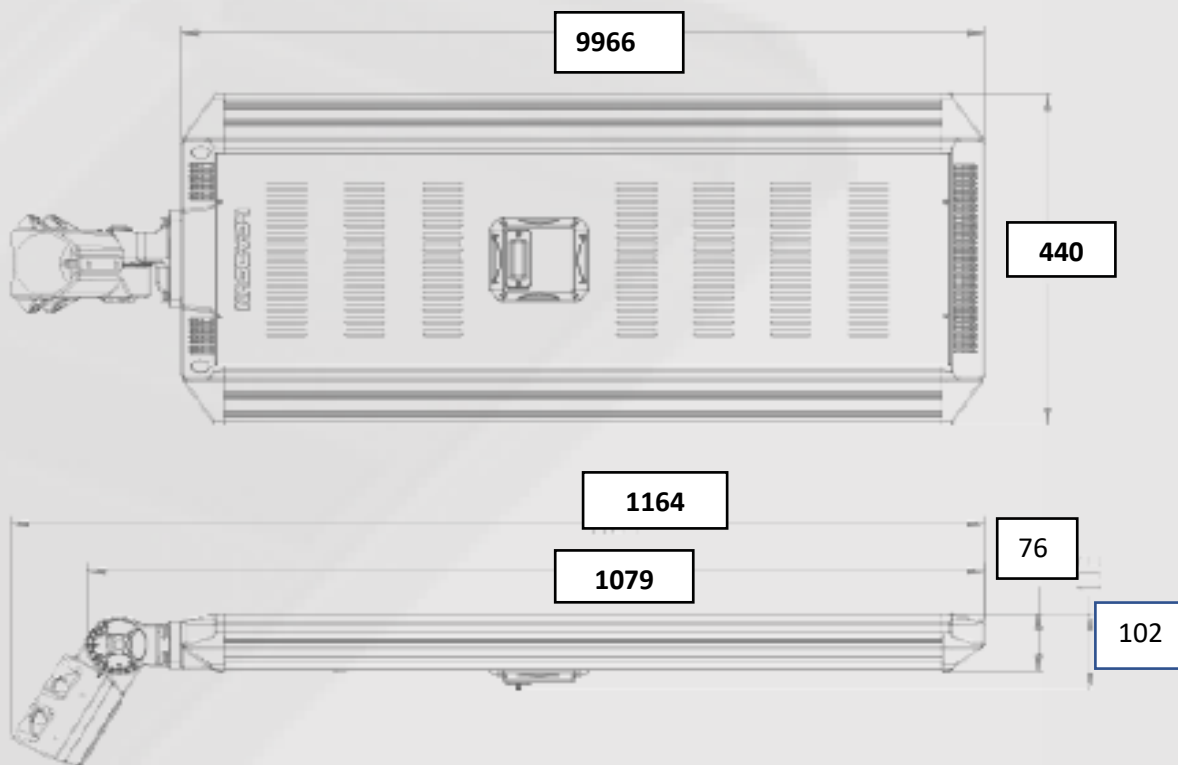
The AE3 specially- developed smart light controller and Passive Infra-Red (PIR) sensor work to ensure the solar LED light lasts from dusk until dawn, even on the darkest days and are proven to operate throughout the UK winter.

C&R Outdoor Lighting Ltd

www.crlighting.co.uk

PV MODULE TECHNICAL DATA	
Model No.	AE3 60
Physical Parameters	
Power of PV module (w)	60 Watt
Lithium Battery Capacity (Ah/Wh)	24Ah (308Wh)
Net Weight of Product (kg)	15.3
Dimensions of Product (mm)	1079(L)x440(W)x102(T)
Controller Type	Touch-tone controller
Working Mode	8 hours at 30% brightness then OFF with 100% brightness when motion is detected
Packing Parameters	
Dimension of carton (mm)	1133(L)x 155(W)x510(T)
Gross Weight of Product (kg)	18
Environmental Requirement	
Charge Temperature	0°C~54°C
Discharge Temperature	-20°C~54°C
Storage Temperature (<3 months)	-20°C~45°C
Storage Temperature (3-12months)	-20°C~25°C

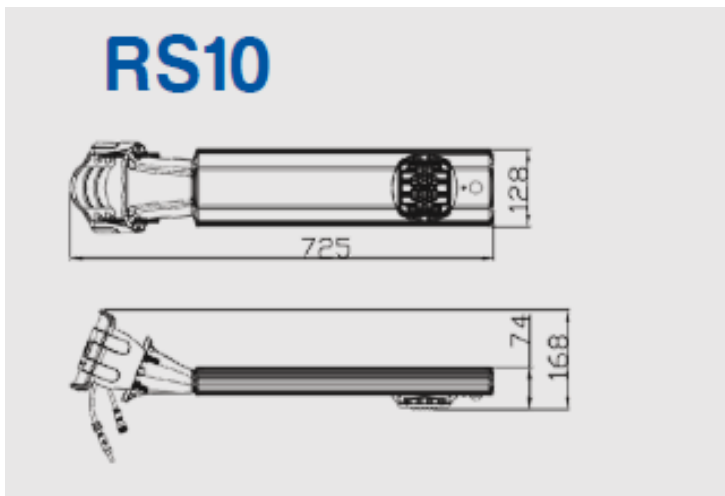
AE3-60



C&R Outdoor Lighting Ltd

www.crlighting.co.uk

LIGHT UNIT TECHNICAL DATA	
Model No.	RS10
Physical Parameters	
Dimensions of Product	725(L)x128(W)x74(T)
Net Weight of Product (kg)	3.6
Luminaire Parameters	
Power of LED Module (W)	10
Colour Temperature (K)	4000
Dim Function	Yes
Packing Parameters	
Dimension of Carton (mm)	760(L)x220(W)x74(T)
Gross Weight of Product (kg)	6
Environmental Requirement	
Storage Temperature	-20°C~45°C



C&R Outdoor Lighting Ltd

www.crlighting.co.uk