



## Datasheet

# AMERSHAM 2 LED LANTERN

The Amersham 2 LED Lantern is a spherical Luminaire with an effective light distribution, the Amersham 2 LED Lantern is ideal for large area amenity applications.

The Luminaire shall be manufactured from UV Stabilised polycarbonate. The optical System shall consist of a precision manufactured optic distribution system. Sealed to a minimum IP rating of IP65, Class 2 and is suitable for use with control systems

### Key Features

- Luminaire Lumens 2670
- Efficacy up to 72lm/w
- Power 35 W
- 4000K, CRI >80
- 76MM Post top Fixing
- Symmetrical Optic
- Photo-cell (available at additional Cost)

### Applications

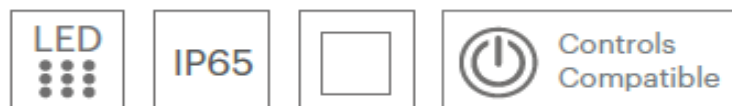
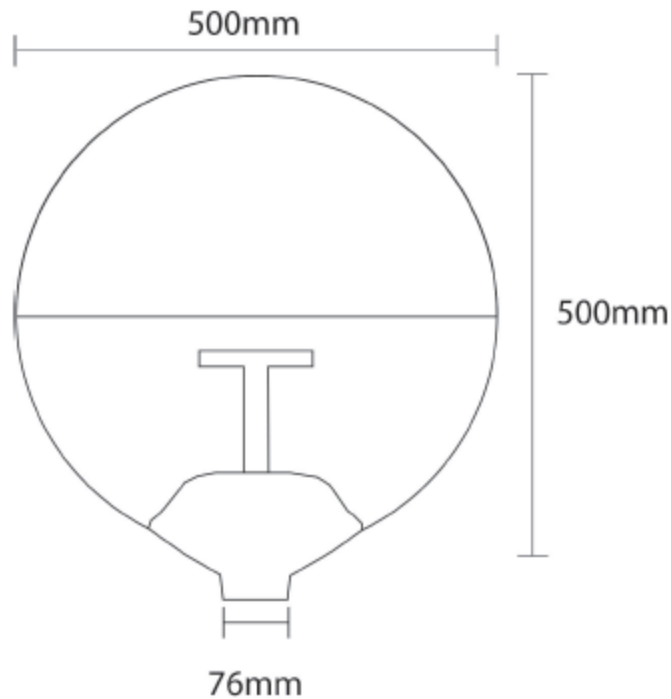
- Car Parks
- Retail Parks
- Walkways
- Parks & Gardens
- Security

**C&R Outdoor Lighting Ltd**

[www.crlighting.co.uk](http://www.crlighting.co.uk)

## Specification

- Weight 5 kg
- Windage 0.17m
- Material Polycarbonate
- Paint Finish Anthracite grey on cap



**C&R Outdoor Lighting Ltd**

[www.crlighting.co.uk](http://www.crlighting.co.uk)