

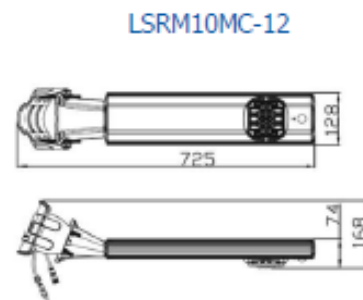
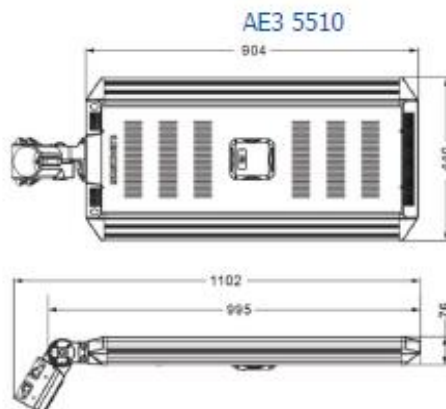
AE3

Solar Street Lighting

The AE3 series provides solar lighting for areas requiring brighter lighting powered by a 55W or 80W sized solar panel. The AE3 is available with a 10 watt LED.

Applications

Street lighting
Parks & recreation areas
Public areas
Bus stops and shelters
Car parks and perimeters
Marinas and harbours
Footpaths



CR Solar Smart AE3

C&R Outdoor Lighting Ltd

www.crlighting.co.uk

PV MODULES	
SPECIFICATIONS	AE3 5510
Physical parameters	
Power of PV Module (W)	55
Lithium Battery Capacity (Wh)	20Ah (256Wh)
Working time (full power)	≥ 4days
Working time (dim power)	≥ 10days
Battery Heating Function	/
Controller Type	Touch-tone controller
Light Photosensitivity (lx)	30
Net Weight of Product (kg)	14.9
Dimension of Product (mm)	1012 × 440 × 76
Packing Parameters	
Dimension of Carton (mm)	1080 × 170 × 510
Gross Weight of Product (kg)	17.9
Environment Requirements	
Charge Temperature	0°C to 60°C
Discharge Temperature	-20°C to 60°C
Storage temperature	-20°C to 60°C

LED LIGHT	
SPECIFICATIONS	LSRM10MC-12
Physical parameters	
Dimension of Product (mm)	725×128×74
Net Weight of Product (kg)	3.6
Light parameters	
Light Power (W)	10
Colour lamp	5000 K
Lumen output (full power)	1800
Lumen output (dim power)	540
Packing Parameters	
Dimension of Carton (mm)	760×220×240
Gross Weight of Product (kg)	17.9
Environment Requirements	
Charge Temperature	0°C to 60°C
Discharge Temperature	-20°C to 60°C
Storage temperature	-20°C to 60°C

CR Solar Smart AE3

C&R Outdoor Lighting Ltd

www.crlighting.co.uk