

NOTES:

ALL DIMENSIONS IN MILLIMETRES

ALL PLATE TO BS EN 10025.

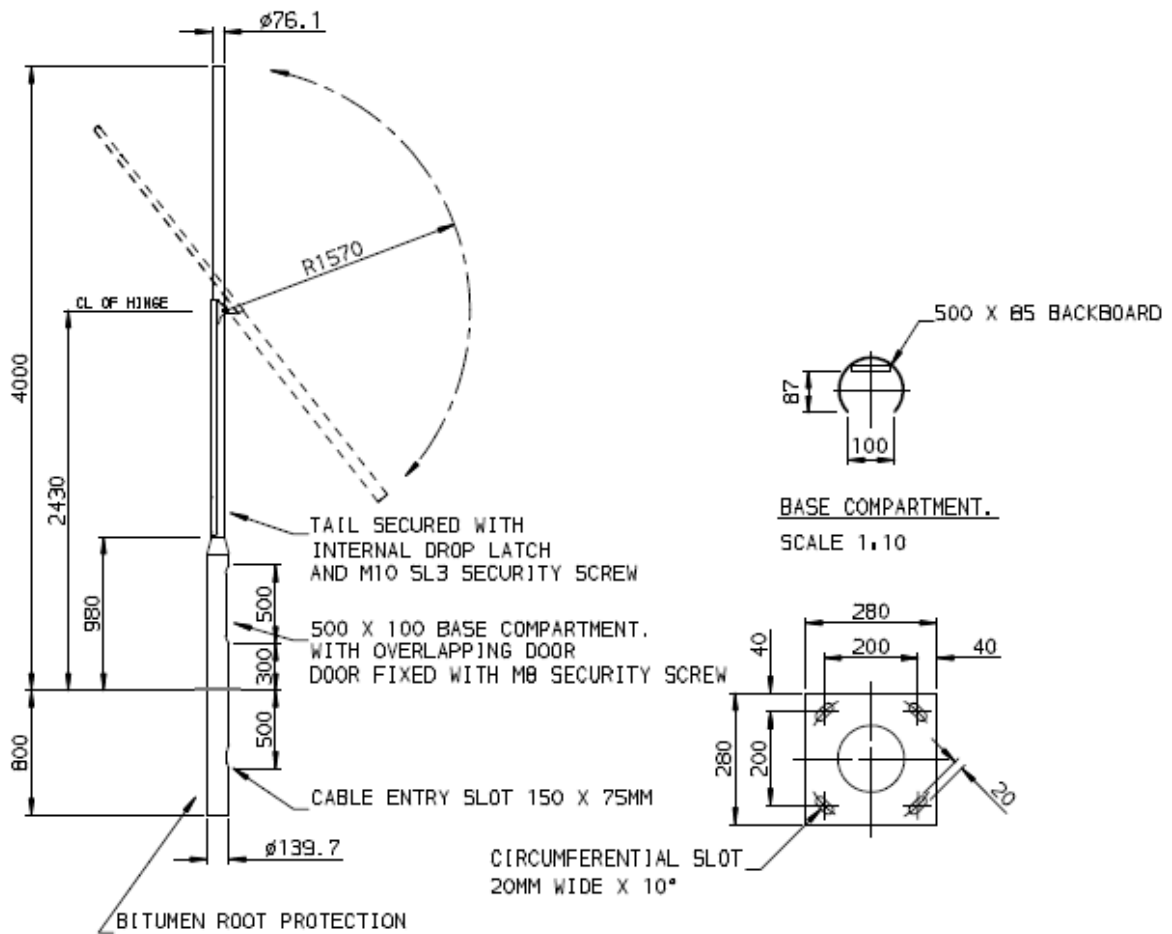
ALL CFCHS TO BS EN 10219

ALL WELDING TO BS EN 1011

FINISH: H.D.G. TO BS EN 150 1461

PART No. ROOTED COLUMN: RMS04T01DL2

FLANGED COLUMN: FMS04T01DL2



4M ROOT MOUNTED MID-HINGED LAMP COLUMN

C&R Outdoor Lighting Ltd

www.crlighting.co.uk